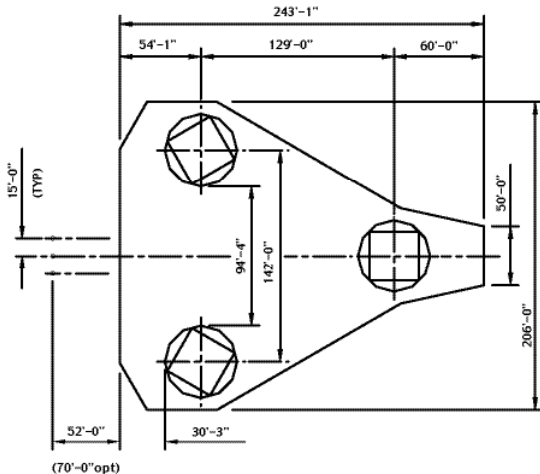


SUPER 116 CLASS & SUPER 116e CLASS



HULLDEPTH.....	26 FT.
WATER PLANE AREA	27,015 SQ. FT.
LEG PITCH	30 FT.
SPUD TANK DIA.	46 FT. ACROSS FLATS
SPUD TANK HT.	24 FT.
SPUD TANK AREA	1,546 SQ. FT.
SPUD TANK VOLUME	9,710 CU. FT.
STORM MAX ELEV. WT.	16,250 KIPS (19,500)
MAX WATER DEPTH	360 FT.
e = (---)	

NUMBER BUILT - 4
1999 -